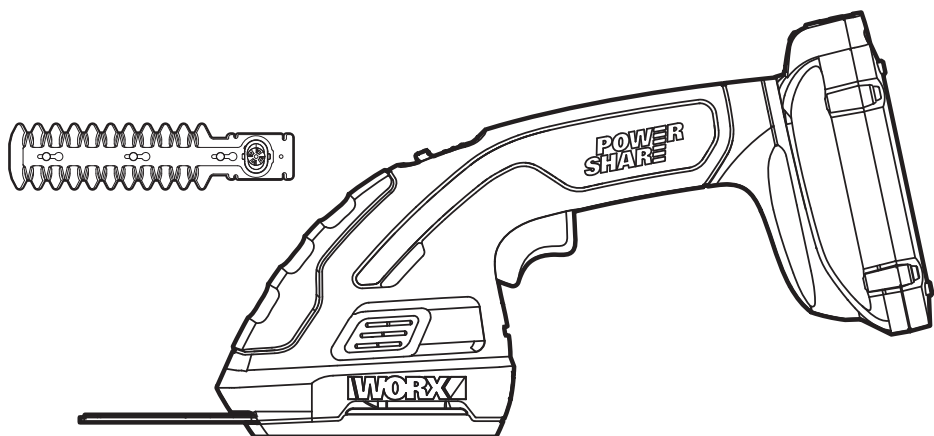


WORX®



20V Cordless Shrub Shear & Grass Shear	EN	P02
Cisaille à gazon et arbuste sans fil de 20 V	F	P11
Podadora de arbustos y césped inalámbrica 20V	ES	P19



HELPLINE NUMBER
NUMÉRO DU SERVICE D'ASSISTANCE
NÚMERO DE LÍNEA DE AYUDA
1-866-354-WORX (9679)

WG801 WG801.1 WG801.9 WG801.91

WARNING: Some dust created by power sanding, sawing, grinding, drilling and other construction activities contains chemicals known to the state of California to cause cancer, birth defects or other reproductive harm. Some examples of these chemicals are:

- Lead from lead-based paints;
- Crystalline silica from bricks and cement and other masonry products;
- Arsenic and chromium from chemically-treated lumber.

Your risk from these exposures varies, depending on how often you do this type of work. To reduce your exposure to these chemical: work in a well ventilated area, and work with approved safety equipment, such as those dust masks that are specially designed to filter out microscopic particles.

WARNING: This product can expose you to chemicals including lead and Di(2-ethylhexyl)phthalate (DEHP) which are known to the State of California to cause cancer and birth defects or other reproductive harm. For more information go to www.P65Warnings.ca.gov.

GENERAL POWER TOOL SAFETY WARNINGS

WARNING: Read all safety warnings and instructions. Failure to follow the warnings and instructions may result in electric shock, fire and/or serious injury.

Save all warnings and instructions for future reference.

The term “power tool” in the warnings refers to your mains-operated (corded) power tool or battery-operated (cordless) power tool.

1) WORK AREA SAFETY

- Keep work area clean and well lit.** Cluttered or dark areas invite accidents.
- Do not operate power tools in explosive atmospheres, such as in the presence of flammable liquids, gases or dust.** Power tools create sparks which may ignite the dust or fumes.
- Keep children and bystanders away while operating a power tool.** Distractions can cause you to lose control.

2) ELECTRICAL SAFETY

- Power tool plugs must match the outlet. Never modify the plug in any way. Do not use any adapter plugs with earthed (grounded) power tools.** Unmodified plugs and matching outlets will reduce risk of electric shock.
- Avoid body contact with earthed or grounded surfaces such as pipes, radiators, ranges and refrigerators.** There is an increased risk of electric shock if your body is earthed or

grounded.

- Do not expose power tools to rain or wet conditions.** Water entering a power tool will increase the risk of electric shock.
- Do not abuse the cord. Never use the cord for carrying, pulling or unplugging the power tool.** Keep cord away from heat, oil, sharp edges or moving parts. Damaged or entangled cords increase the risk of electric shock.
- When operating a power tool outdoors, use an extension cord suitable for outdoor use.** Use of a cord suitable for outdoor use reduces the risk of electric shock.
- If operating a power tool in a damp location is unavoidable, use a residual current device (RCD) protected supply.** Use of an RCD reduces the risk of electric shock.

3) PERSONAL SAFETY

- Stay alert, watch what you are doing and use common sense when operating a power tool. Do not use a power tool while you are tired or under the influence of drugs, alcohol or medication.** A moment of inattention while operating power tools may result in serious personal injury.
 - Use personal protective equipment. Always wear eye protection.** Protective equipment such as dust mask, non-skid safety shoes, hard hat, or hearing protection used for appropriate conditions will reduce personal injuries.
 - Prevent unintentional starting. Ensure the switch is in the off-position before connecting to power source and/or battery pack, picking up or carrying the tool.** Carrying power tools with your finger on the switch or energising power tools that have the switch on invites accidents.
 - Remove any adjusting key or wrench before turning the power tool on.** A wrench or a key left attached to a rotating part of the power tool may result in personal injury.
 - Do not overreach. Keep proper footing and balance at all times.** This enables better control of the power tool in unexpected situations.
 - Dress properly. Do not wear loose clothing or jewellery.** Keep your hair, clothing and gloves away from moving parts. Loose clothes, jewellery or long hair can be caught in moving parts.
 - If devices are provided for the connection of dust extraction and collection facilities, ensure these are connected and properly used.** Use of dust collection can reduce dust-related hazards.
- ### 4) POWER TOOL USE AND CARE
- Do not force the power tool. Use the correct power tool for your application.** The correct power tool will do the job better and safer at the rate for which it was designed.
 - Do not use the power tool if the switch does not turn it on and off.** Any power tool

that cannot be controlled with the switch is dangerous and must be repaired.

- c) **Disconnect the plug from the power source and/or the battery pack from the power tool before making any adjustments, changing accessories, or storing power tools.** Such preventive safety measures reduce the risk of starting the power tool accidentally.
- d) **Store idle power tools out of the reach of children and do not allow persons unfamiliar with the power tool or these instructions to operate the power tool.** Power tools are dangerous in the hands of untrained users.
- e) **Maintain power tools. Check for misalignment or binding of moving parts, breakage of parts and any other condition that may affect the power tools operation.** If damaged, have the power tool repaired before use. Many accidents are caused by poorly maintained power tools.
- f) **Keep cutting tools sharp and clean.** Properly maintained cutting tools with sharp cutting edges are less likely to bind and are easier to control.
- g) **Use the power tool, accessories and tool bits etc., in accordance with these instructions and in the manner intended for the particular type of power tool, taking into account the working conditions and the work to be performed.** Use of the power tool for operations different from those intended could result in a hazardous situation.

5) BATTERY TOOL USE AND CARE

- a) **Recharge only with the charger specified by the manufacturer.** A charger that is suitable for one type of battery pack may create a risk of fire when used with another battery pack.
 - b) **Use power tools only with specifically designated battery packs.** Use of any other battery packs may create a risk of injury and fire.
 - c) **When battery pack is not in use, keep it away from other metal objects, like paper clips, coins, keys, nails, screws or other small metal objects, that can make a connection from one terminal to another.** Shorting the battery terminals together may cause burns or a fire.
 - d) **Under abusive conditions, liquid may be ejected from the battery; avoid contact. If contact accidentally occurs, flush with water.** If liquid contacts eyes, additionally seek medical help. Liquid ejected from the battery may cause irritation or burns.
- 6) **SERVICE**
- a) **Have your power tool serviced by a qualified repair person using only identical replacement parts.** This will ensure that the safety of the power tool is maintained.

HEDGE TRIMMER SAFETY WARNINGS

1. **Keep all parts of the body away from the cutter blade. Do not remove cut material or hold material to be cut when blades are moving. Make sure the switch is off when clearing jammed material. Blades coast after turn off.** A moment of inattention while operating the hedge trimmer may result in serious personal injury.
2. **Carry the hedge trimmer by the handle with the cutter blade stopped. When transporting or storing the hedge trimmer always fit the cutting device cover.** Proper handling of the hedge trimmer will reduce possible personal injury from the cutter blades.
3. **Hold the power tool by insulated gripping surfaces only, because the cutter blade may contact hidden wiring or its own cord.** Cutter blades contacting a live wire may make exposed metal parts of the power tool live and could give the operator an electric shock
4. **Keep hands away from blade.** Contact with blade will result in serious personal injury.
5. **Only use with handle and guard properly assembled to hedge trimmer. The use of the hedge trimmer without the proper guard or handle provided may result in serious personal injury.**
6. **Check the hedge for foreign objects, e.g. wire fences.**



Important Safety Instructions



WARNING: When using electric gardening appliances, basic safety precautions should always be followed to reduce the risk of fire, electric shock, and personal injury, including the following:



WARNING: Read all instructions

FOR ALL APPLIANCES

- 1) Avoid Dangerous Environment - Don't use appliances in damp or wet locations.
- 2) Don't Use In Rain.
- 3) Keep Children Away - All visitors should be kept at a distance from work area.
- 4) Dress Properly - Do not wear loose clothing or jewelry. They can be caught in moving parts. Use of rubber gloves and substantial footwear is recommended when working outdoors. Wear protective hair covering to contain long hair.
- 5) Use Safety Glasses - Always use face or dust mask if operation is dusty.
- 6) Use Right Appliance - Do not use appliance for any job except that for which it is intended.
- 7) Don't grasp the exposed cutting blades or cutting edges when picking up or holding the appliance.
- 8) Don't Force Appliance - It will do the job better and with less likelihood of a risk of injury at the rate for which it was designed.

- 9) Don't Overreach - Keep proper footing and balance at all times.
- 10) Stay Alert - Watch what you are doing. Use common sense. Do not operate appliance when you are tired.
- 11) Store Idle Appliances Indoors - When not in use, appliances should be stored indoors in dry, and high or locked-up place - out of reach of children.
- 12) Maintain Appliance With Care - Keep cutting edge sharp and clean for best performance and to reduce the risk of injury. Follow instructions for lubricating and changing accessories. Keep handles dry, clean, and free from oil and grease.
- 13) Check Damaged Parts - Before further use of the appliance, a guard or other part that is damaged should be carefully checked to determine that it will operate properly and perform its intended function. Check for alignment of moving parts, binding of moving parts, breakage of parts, mounting, and any other condition that may affect its operation. A guard or other part that is damaged should be properly repaired or replaced by an authorized service center unless indicated elsewhere in this manual.

FOR ALL BATTERY - OPERATED GARDENING APPLIANCES

1. For all battery-operated gardening appliances:

- a) Do not charge appliance in rain, or in wet locations.
- b) Do not use battery-operated appliance in rain.
- c) Remove or disconnect battery before servicing, cleaning or removing material from the gardening appliance.

2. For all battery-operated products employing a detachable or separable battery:

- a) Use only the following type and size battery(ies): --- WA3520, WA3525, WA3575, WA3578
- b) Do not dispose of the battery(ies) in a fire. The cell may explode. Check with local codes for possible special disposal instructions.
- c) Do not open or mutilate the battery(ies). Released electrolyte is corrosive and may cause damage to the eyes or skin. It may be toxic if swallowed.
- d) Exercise care in handling batteries in order not to short the battery with conducting materials such as rings, bracelets, and keys. The battery or conductor may overheat and cause burns.

3. Avoid unintentional starting - Do not insert the battery with your finger on the switch. Be sure the switch is off when inserting the battery.

SAVE THESE INSTRUCTIONS

Additional safety rule for grass shear

Keep hands away from blades.


SAFETY WARNINGS FOR BATTERY PACK





- a) **Do not dismantle, open or shred battery pack.**
- b) **Do not expose battery pack to heat or fire. Avoid storage in direct sunlight.**
- c) **Do not short-circuit a battery pack. Do not store battery packs haphazardly in a box or drawer where they may short-circuit each other or be short-circuited by other metal objects.** When battery pack is not in use, keep it away from other metal objects, like paper clips, coins, keys, nails, screws or other small metal objects, that can make a connection from one terminal to another. Shorting the battery terminals together may cause burns or fire.
- d) **Do not remove battery pack from its original packaging until required for use.**
- e) **Do not subject battery pack to mechanical shock.**
- f) **In the event of battery leaking, do not allow the liquid to come in contact with the skin or eyes. If contact has been made, wash the affected area with copious amounts of water and seek medical advice.**
- g) **Observe the plus (+) and minus (-) marks on the battery back and equipment and ensure correct use.**
- h) **Do not use any battery pack which is not designed for use with the equipment.**
- i) **Keep battery pack out of the reach of children.**
- j) **Seek medical advice immediately if a cell or battery has been swallowed.**
- k) **Always purchase the battery pack recommended by the device manufacturer for the equipment.**
- l) **Keep battery pack clean and dry.**
- m) **Wipe the battery pack terminals with a clean dry cloth if they become dirty.**
- n) **Battery pack needs to be charged before use. Always use the correct charger and refer to the manufacturer's instructions or equipment manual for proper charging instructions.**
- o) **Do not leave battery pack on prolonged charge when not in use.**
- p) **After extended periods of storage, it may be necessary to charge and discharge the battery pack several times to obtain maximum performance.**
- q) **Battery pack gives its best performance when it is operated at normal room temperature (20 °C ± 5 °C).**
- r) **When disposing of battery packs, keep battery packs of different electrochemical systems separate from each other.**
- s) **Recharge only with the charger specified by WORX. Do not use any charger other than that specifically provided for use with the equipment.** A charger that is suitable for

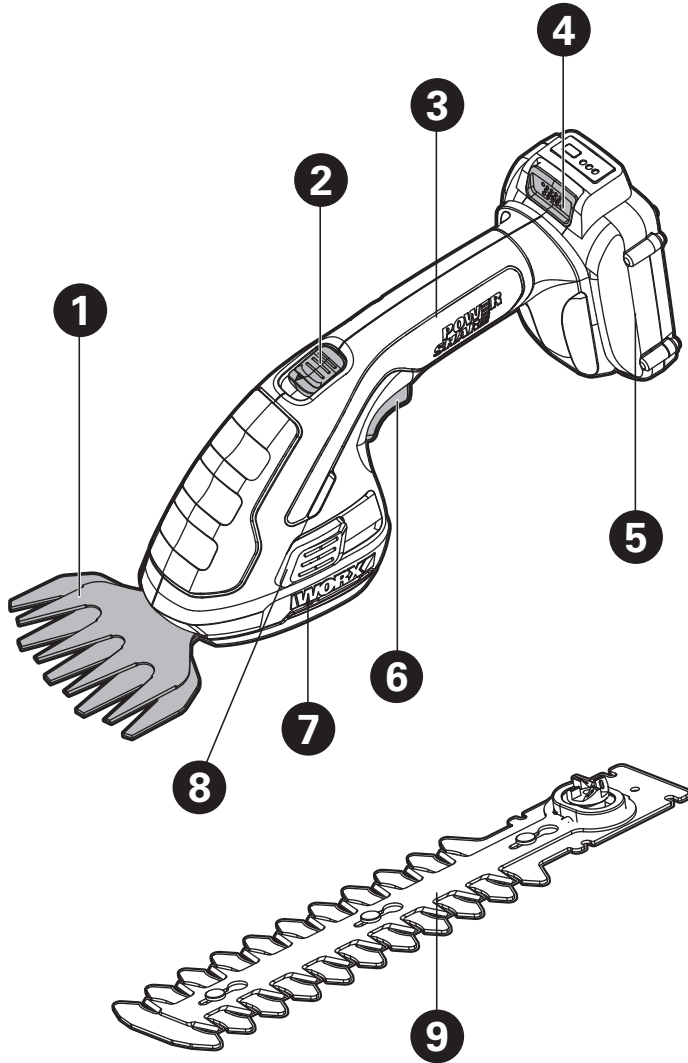
one type of battery pack may create a risk of fire when used with another battery pack.

- t) **Retain the original product literature for future reference.**
- u) **Use only the battery pack in the application for which it was intended.**
- v) **Remove the battery pack from the equipment when not in use.**
- w) **Dispose of properly.**

SYMBOL

	To reduce the risk of injury, user must read instruction manual
	Warning
	Wear ear protection
	Wear eye protection
	Wear dust mask
	Do not expose to rain
	DANGER – Keep hands away from blade
	Li-Ion battery, battery must be recycled
	Make sure the battery is removed prior to changing accessories.
	Wear protective gloves
	Lock



	Unlock
	Do not burn.
	Do not expose to rain or water.
	<p>call2recycle®</p> <p>POSITEC Inc. has established a partnership with the RBRC Corporation to recycle any Positec batteries with the RBRC-call2recycle seal. For environmental protection, please do not discard batteries in the trash. After the batteries' life cycle is ended, then please call 1-800-822-8837 for a free service that will properly dispose of the battery.</p>



1. GRASS SHEAR BLADE ***2. LOCK-OFF BUTTON****3. HANDLE****4. BATTERY PACK RELEASE BUTTON *****5. BATTERY PACK *****6. ON/OFF SWITCH****7. TOOL-FREE DRIVE COVER****8. TOOL-FREE DRIVE COVER RELEASE BUTTON****9. SHRUB SHEAR BLADE**

*Not all the accessories illustrated or described are included in standard delivery.

TECHNICAL DATA

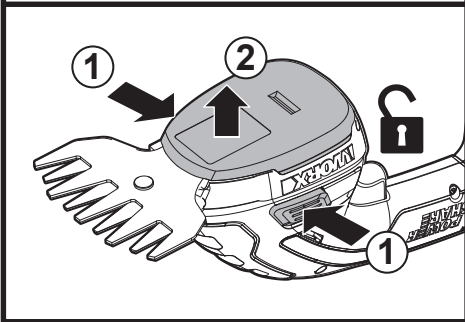
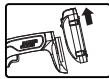
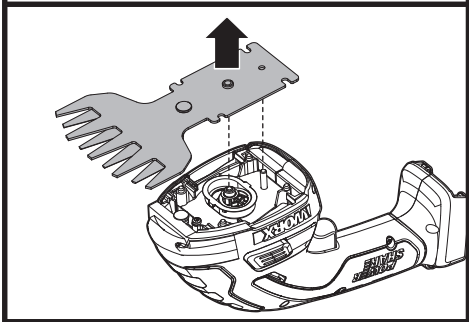
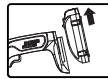
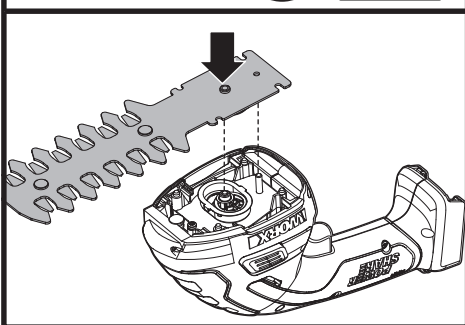
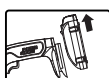
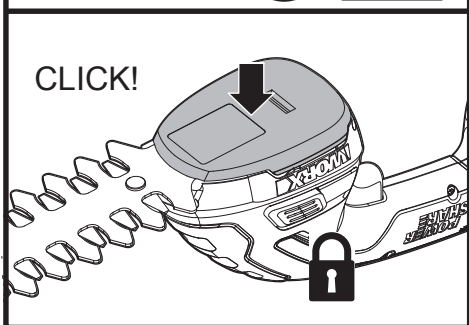
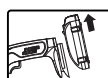
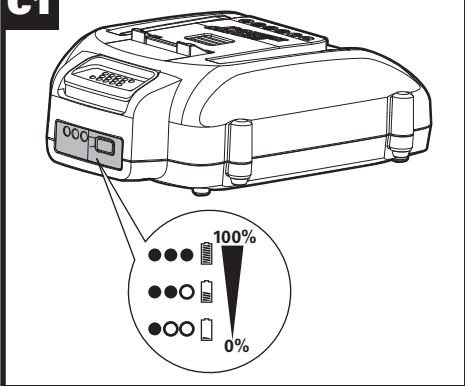
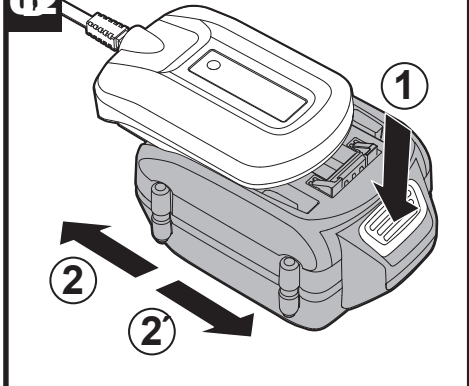
	WG801	WG801.1	WG801.9	WG801.91
Voltage	20V  Max*			
No Load Speed	1150 rpm			
Cutting width	4" with grass shear blade			
Cutting length	8" with shrub blade			
Max. cutting diameter	0.3" for shrub blade			
Charging time	5 hrs	/	/	/
Charger rating	Input: 120V~60Hz Output: 20V  400mA		/	/
Machine weight	2.0 lbs	2.4 lbs	1.3 lbs	1.7 lbs

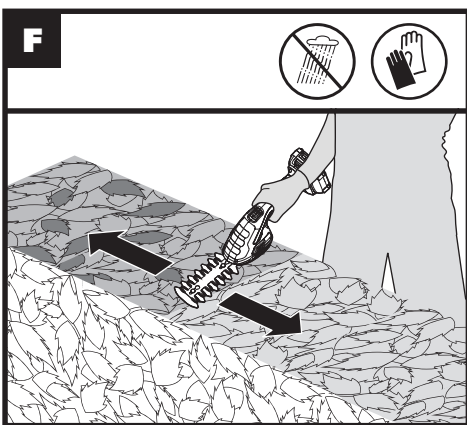
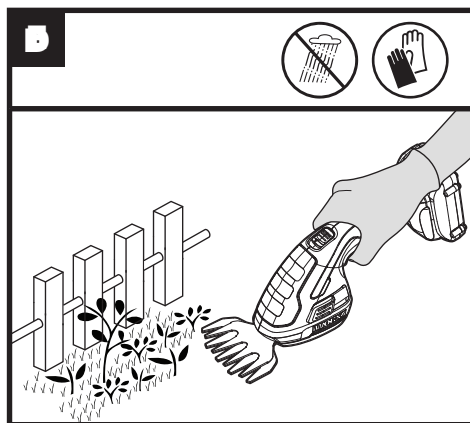
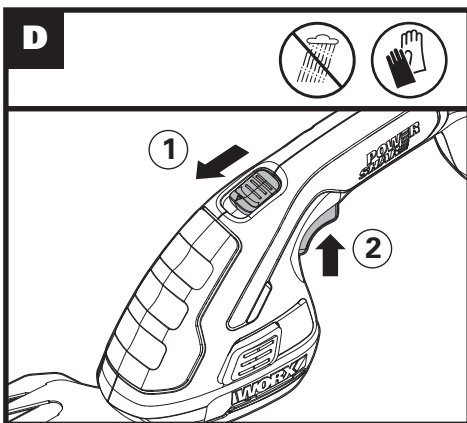
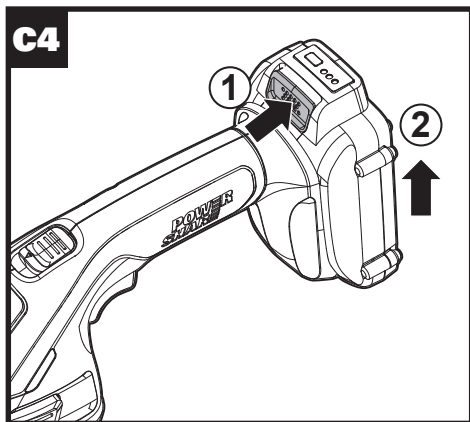
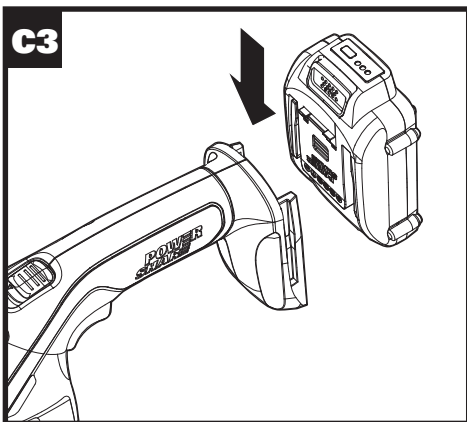
*Voltage measured without workload. Initial battery voltage reaches maximum of 20 volts. Nominal voltage is 18 volts.

ACCESSORIES

	WG801	WG801.1	WG801.9	WG801.91
4" GRASS SHEAR BLADE	1	/	1	/
8" SHRUB SHEAR BLADE	1	1	1	1
BATTERY PACK (WA3575)	1	1	/	/
CHARGER (WA3742)	1	1	/	/
Telescopic Handle (WA0040)	/	/	/	/
Blade sheath	2	1	2	1

We recommend that you purchase your accessories listed in the above list from the same store that sold you the tool. Refer to the accessory packaging for further details. Store personnel can assist you and offer advice.

A1**A2****B1****B2****C1****C2**



OPERATING INSTRUCTIONS




NOTE: Before using the tool, read the instruction book carefully.

INTENDED USE

The product is intended for light trimming of shrubs and lawn edges in domestic use.

ASSEMBLY AND OPERATION

ACTION	FIGURE
ASSEMBLY (Fitting/Changing the blade)	
Removing the blade  WARNING: Wear gloves when changing the blade.	See Fig. A1, A2
Fitting the blade	See Fig. B1, B2
BEFORE OPERATION	
Checking the battery condition (for WG801 WG801.1)	See Fig. C1
Charging the battery pack More details can be found in charger's manual	See Fig. C2
Installing the battery pack	See Fig. C3
Removing the battery pack	See Fig. C4
OPERATION	
Starting & Stopping	See Fig. D
Trimming grass (for WG801, WG801.9) NOTE: Keep the tool away from hard objects and delicate plants. To make a closer cut, slightly tilt the tool.	See Fig. E
Trimming hedges and shrubs NOTE: Take care to avoid any foreign objects. Especially avoid hard objects such as metal wire and railings, as these could damage the blades.	See Fig. F

MAINTENANCE

NOTE: To ensure long and reliable service, carry out the following maintenance regularly. Remove the battery before carrying out any adjustment, servicing or maintenance. Check for obvious defects such as loose, dislodged or damaged blade, loose fixings and worn or damaged components. Check that covers and guards are undamaged and correctly fitted. Carry out necessary maintenance or repairs before using.

FOR BATTERY TOOLS

The ambient temperature range for the use and storage of tool and battery is 0°C-45°C.

The recommended ambient temperature range for the charging system during charging is 0°C-40°C.

BLADE MAINTENANCE

Always clean the cutting blades after operation and periodically lubricating the cutting blade. Visually check the condition of the cutting edges of the cutting blade.

Ensure that the blade is covered with the blade guard supplied when not in use.

CLEANING/STORAGE

Clean the exterior of the machine thoroughly using a soft brush and cloth. Do not use water, solvents or polishes. Remove all debris, especially from the ventilation slots.

Store the machine in a secure dry place out of reach of children. Do not place other objects on top of the machine.

⚠ AVERTISSEMENT: Certaines des poussières produites en utilisant des outils électriques sont considérées par l'État de Californie comme susceptibles de provoquer le cancer, des anomalies congénitales et d'autres problèmes de reproduction. Voici des exemples de ces produits chimiques:

- Plomb issu de peinture à base de plomb
- Silice cristalline issue de briques et du ciment et autres produits de maçonnerie
- Arsenic et chrome issus de bois traité chimiquement

Votre risque de ces expositions varie en fonction de la fréquence à laquelle vous effectuez ce travail. Pour réduire votre exposition à ces produits chimiques : travaillez dans une zone bien ventilée; portez un équipement de sécurité approuvé, tel que des masques antipoussières spécialement conçus pour éliminer les particules microscopiques par filtrage.

⚠ AVERTISSEMENT : Ce dispositif peut vous exposer aux produits chimiques notamment le plomb et le di-phthalate (de 2-éthylhexyle) (DEHP) qui sont reconnus dans l'État de Californie comme causant des cancers et des anomalies congénitales ou d'autres anomalies de la reproduction. Pour en savoir plus, veuillez consulter le site www.P65Warnings.ca.gov.

AVERTISSEMENTS GENERAUX CONCERNANT LA SECURITE DES OUTILS ELECTRIQUES

⚠ AVERTISSEMENT: Lisez et assimilez toutes les instructions. Le non-respect des instructions ci-après peut entraîner un risque de choc électrique, d'incendie et/ou de blessures graves.

Conservez tous les avertissements et instructions pour pouvoir les consulter ultérieurement.

L'expression « outil électrique » dans tous les avertissements énumérés ci-dessous se réfère à votre outil électrique fonctionnant sur secteur (branché) ou à batterie (sans-fil).

1. AIRE DE TRAVAIL

- Veillez à ce que l'aire de travail soit propre et bien éclairée.** Le désordre et le manque de lumière favorisent les accidents.
- N'utilisez pas d'outils électriques dans un milieu présentant un risque d'explosion, par exemple en présence de liquides, de gaz ou de poussières inflammables.** Les outils électriques créent des étincelles qui pourraient enflammer les poussières ou les vapeurs.
- Gardez à distance les curieux, les enfants et les visiteurs lorsque vous travaillez avec un outil électrique.** Ils pourraient vous distraire et vous faire faire une fausse manoeuvre.

2. SÉCURITÉ ÉLECTRIQUE

- Les fiches des outils électriques doivent correspondre aux prises murales. Ne jamais modifier la fiche de quelque façon que ce soit.** Ne pas utiliser de fiches d'adaptation avec des outils électriques mis à la terre (mis à la masse). Des fiches non modifiées et des prises qui leur correspondent réduiront le risque de choc électrique.
- Évitez tout contact corporel avec des surfaces mises à la terre (tuyauterie, radiateurs, cuisinières, réfrigérateurs, etc.).** Le risque de choc électrique est plus grand si votre corps est en contact avec la terre.
- N'exposez pas les outils électriques à la pluie ou à l'eau.** La présence d'eau dans un outil électrique augmente le risque de choc électrique.
- Ne maltraitez pas le cordon. Ne transportez jamais l'outil par son cordon et ne débranchez jamais la fiche en tirant sur le cordon.** N'exposez pas le cordon à la chaleur, à des huiles, à des arrêtes vives ou à des pièces en mouvement. Un cordon endommagé augmente le risque de choc électrique.
- Lorsque vous utilisez un outil électrique à l'extérieur, utilisez un prolongateur adapté à une utilisation en extérieur.** L'utilisation d'un cordon adapté à une utilisation extérieure réduit le risque de choc électrique.
- Si vous devez utiliser un outil électrique dans un endroit humide, utilisez un dispositif de courant résiduel (RCD) d'alimentation protégée.** L'utilisation d'un RCD réduit le risque de choc électrique.

3. SÉCURITÉ DES PERSONNES

- Restez alerte, concentrez-vous sur votre travail et faites preuve de bon sens.** N'utilisez pas un outil électrique si vous êtes fatigué ou sous l'influence de drogues, d'alcool ou de médicaments. Un instant d'inattention lors de l'utilisation d'outils électriques peut entraîner des blessures graves.
- Utilisez des accessoires de sécurité. Portez toujours une protection oculaire.** De l'équipement de sécurité tel que le masque antipoussière, les chaussures de sécurité antidérapantes, des casques durs ou des protections antibruit utilisés dans des conditions appropriées réduiront les blessures corporelles.
- Évitez les démarrages accidentels. Avant d'insérer la batterie dans l'outil, assurez-vous que son interrupteur est en position « OFF » (Arrêt) ou verrouillée.** Le fait de transporter un outil avec le doigt sur la détente/l'interrupteur ou d'insérer la batterie dans un outil dont la détente est en position « ON » (Marche) peut causer un accident.
- Retirez les clés de réglage avant de mettre l'outil sous tension.** Une clé restée attachée à une partie mobile de l'outil pourrait entraîner des blessures corporelles.

- e) **Ne vous penchez pas trop en avant. Maintenez un bon appui et restez en équilibre en tout temps.** Une bonne stabilité vous permet de mieux réagir à une situation inattendue.
- f) **Habilitez-vous convenablement. Ne portez ni vêtements flottants ni bijoux. Gardez les cheveux, les vêtements et les gants éloignés des pièces en mouvement.** Les vêtements flottants, les bijoux ou les cheveux longs risquent d'être happés par des pièces en mouvement.
- g) **Si un sac de récupération de la poussière est fourni avec un connecteur pour aspirateur, assurez vous qu'il est correctement relié et utilisé de façon appropriée.** L'utilisation de ce système réduit les dangers physiques et physiologiques liés à la poussière.

4. UTILISATION ET ENTRETIEN DE L'OUTIL

- a) **N'oubliez pas l'outil. Utilisez l'outil approprié à la tâche.** L'outil approprié fonctionne mieux et de façon plus sécuritaire. Respectez aussi la vitesse de travail qui lui est propre.
- b) **N'utilisez pas un outil si l'interrupteur ne le met pas en marche ou ne peut l'arrêter.** Un outil qui ne peut être contrôlé par l'interrupteur est dangereux et doit être réparé.
- c) **Débranchez la batterie de l'outil ou mettez son interrupteur en position « OFF » (Arrêt) ou « LOCKED » (Verrouillé) avant d'effectuer un réglage, de changer d'accessoire ou de ranger l'outil.** De telles mesures de sécurité préventive réduisent le risque de démarrage accidentel de l'outil.
- d) **Rangez les outils hors de portée des enfants et d'autres personnes inexpérimentées.** Les outils sont dangereux dans les mains d'utilisateurs novices.
- e) **Prenez soin de bien entretenir les outils. Soyez attentif à tout désalignement ou coincement des pièces en mouvement, à tout bris ou à toute autre condition préjudiciable au bon fonctionnement de l'outil.** Si vous constatez qu'un outil est endommagé, faites-le réparer avant de vous en servir. De nombreux accidents sont causés par des outils en mauvais état.
- f) **Les outils de coupe doivent être toujours bien affûtés et propres.** Des outils bien entretenus, dont les arêtes sont bien tranchantes, sont moins susceptibles de se coincer et plus faciles à contrôler.
- g) **Utilisez l'outil électrique, les accessoires et les forêts etc., en conformité avec ces instructions et de la manière conçue pour le type particulier d'outil électrique, prend en compte les conditions de travail et le travail qui doit être accompli.** L'emploi de l'outil électrique pour des opérations différentes de celles pour lesquelles il a été conçu pourrait entraîner une situation dangereuse.

5. UTILISATION DE LA BATTERIE ET ENTRETIEN

- a) **Un outil à batterie avec batteries incorporées ou une batterie séparée doit être rechargé uniquement avec le chargeur indiqué pour la batterie.** Un chargeur qui peut être adéquat pour un type de batterie peut créer un risque d'incendie lorsqu'il est utilisé avec une autre batterie.
- b) **Utiliser un outil à batterie uniquement avec la batterie désignée.** L'emploi de toute autre batterie peut créer un risque d'incendie.
- c) **Lorsque la batterie n'est pas utilisée, tenez-la à l'écart d'autres objets métalliques tels que trombones, pièces de monnaie, clés, clous, vis ou autres petits objets métalliques susceptibles d'établir une connexion d'une borne à une autre.** Le court-circuitage des bornes de batterie peut causer des étincelles, des brûlures, une explosion ou un incendie.
- d) **Dans le cadre de conditions d'abus, du fluide peut être éjecté de la batterie, évitez tout contact. Si un contact se produisait accidentellement, rincez abondamment avec de l'eau.** Si le fluide touche les yeux, cherchez en plus de la mesure précédente de l'aide médicale. Le fluide éjecté de la batterie peut causer des irritations ou des brûlures.

6. ENTRETIEN

- a) **Ayez votre outil électrique entretenu par un réparateur agréé n'utilisant que des pièces de rechange identiques.** Cela assurera que la sécurité de l'outil électrique est maintenue.

CONSIGNES DE SÉCURITÉ

- Maintenez toutes les parties du corps éloignées de la lame. Ne tentez jamais d'enlever les branches coupées ou ne tenez jamais les branches à couper lorsque la lame est en mouvement. Assurez-vous que l'interrupteur soit à la position OFF (ARRÊT) lorsque vous enlevez les branches bloquées dans la lame. La lame s'arrête lentement lorsque l'appareil est mis hors tension.** Un moment d'inattention lorsque vous utilisez le taille-haie peut résulter en des blessures corporelles graves.
- Portez le taille-haie par la poignée et l'appareil hors tension pour que la lame soit inactive. Pour le transport et le rangement du taille-haie, installez toujours le protecteur de lame.** Une manipulation sécuritaire du taille-haie préviendra les blessures corporelles possibles causées par la lame.
- Ne tenez l'appareil électrique que par les surfaces isolées de tenue puisque la lame pourrait entrer en contact avec du câblage caché ou son propre cordon d'alimentation.** La lame entrant en contact avec un fil sous

tension peut mettre les parties métalliques de l'appareil sous tension, ce qui pourrait causer un choc électrique à l'opérateur.

4. **Éloignez vos mains de la lame.** Tout contact avec la lame peut causer des blessures corporelles graves.
5. **N'utilisez le taille-haie que lorsque la poignée et le dispositif de protection sont assemblés correctement sur l'outil.** L'utilisation du taille-haie non-équipé de sa poignée et de son dispositif de protection peut résulter en des blessures corporelles graves.
6. **Vérifiez la haie pour la présence d'objets étrangers, p. ex. une clôture métallique.**



CONSIGNES DE SÉCURITÉ



AVERTISSEMENT: Lors de l'utilisation d'appareils électriques de jardinage, des précautions de base doivent être observées afin de réduire les risques de feu, choc électrique, et blessure grave, incluant ce qui suit:

AVERTISSEMENT: Lisez Toutes Les Instructions

POUR TOUS LES APPAREILS

- 1) Évitez les environnements dangereux- N'utilisez pas les appareils dans des locations très humides ou mouillées.
- 2) N'utilisez pas sous la pluie.
- 3) Tenez les enfants éloignés- Tous les visiteurs devraient se tenir éloignés de l'aire de travail.
- 4) Habillez-vous convenablement- Ne portez pas des vêtements lâches ou des bijoux. Ils peuvent se prendre dans des pièces en mouvement. L'utilisation de gants de caoutchouc et chaussures épaisses est recommandée lors de travaux extérieurs. Portez une protection pour cheveux afin de contenir les cheveux longs.
- 5) Utilisez des lunettes de sécurité. Toujours porter un masque pour le visage ou pour la poussière si l'opération est poussiéreuse.
- 6) Utilisez le bon appareil. N'utilisez pas l'appareil pour tout autre travail que pour celui auquel il est destiné.
- 7) Ne saisissez pas les lames de coupe exposées ou les arêtes de coupe lorsque vous soulevez ou tenez l'appareil.
- 8) Ne forcez pas l'appareil. Il va faire un meilleur travail et avec moins de risques de blessure en travaillant au taux de charge pour lequel il a été conçu.
- 9) N'essayez pas d'utiliser l'appareil hors de votre portée normale. Gardez votre équilibre et les pieds bien ancrés en tout temps.
- 10) Restez alerte. Faites attention à ce que vous faites. Utilisez le bon sens. N'utilisez pas l'appareil lorsque vous êtes fatigué.
- 11) Entrez les appareils à l'intérieur qui ne sont pas utilisés fréquemment. Lorsqu'inutilisés, les appareils devraient être entreposés à l'intérieur dans un endroit sec, élevé et gardé sous clef, hors de la portée des enfants.

- 12) Entretenez les appareils avec soins. Gardez les arêtes de coupe aiguisées et propres pour une meilleure performance et risque réduit de blessure. Suivez les instructions pour lubrifier et changer les accessoires. Gardez les poignées sèches, propres, et libres d'huile et de graisse.
- 13) Vérifier les pièces endommagées. Avant d'employer l'appareil, une garde ou autre pièce endommagée devrait être soigneusement vérifiée afin de déterminer qu'elle fonctionnera correctement et exécutera la fonction pour laquelle elle a été conçue. Vérifier l'alignement des parties mobiles, leur pincement, la brisure de pièces, montage, et toute autre condition qui peut affecter son opération. Une garde ou autre pièce endommagée devrait être correctement réparée ou remplacée par un centre de service autorisé à moins d'avis contraire ailleurs dans ce manuel.

CONSIGNES DE SECURITE POUR TOUS LES APPAREILS DE JARDINAGE FONCTIONNANT AVEC UNE BATTERIE

1. Pour tous les appareils de jardinage fonctionnant avec une batterie:

- a) Ne chargez pas l'outil sous la pluie, ou dans des endroits mouillés.
- b) N'utilisez pas des outils alimentés à piles sous la pluie.
- c) Enlevez ou déconnectez les piles avant l'entretien, nettoyage ou enlèvement de matériel de l'outil de jardinage.

2. Pour tous les appareils fonctionnant sur batteries, employez une batterie amovible ou séparable:

- a) Utilisez seulement des piles de type ou grosseurs suivants: WA3520, WA3525, WA3575, WA3578
 - b) Ne disposez pas des piles en les jetant dans feu. La cellule peut exploser. Vérifiez les réglementations locales pour de possibles instructions spéciales de disposition.
 - c) N'ouvrez pas et ne mutilez pas la pile(s). L'électrolyte qui peut s'en échapper est corrosif et peut causer des dommages à vos yeux ou à votre peau. Il peut être toxique si avalé.
 - d) Lorsque vous manipulez des piles, faites attention de ne pas les court-circuiter avec des matériaux conducteurs tels que bagues, bracelets, et clefs. La pile ou le conducteur peut surchauffer et causer des brûlures.
3. Évitez des démarrages intempestifs – N'insérez pas la batterie dans le commutateur avec vos doigts. Assurez-vous que le commutateur est à l'arrêt lors de l'insertion de la batterie.

CONSERVEZ CES INSTRUCTIONS

Mesure de sécurité supplémentaire pour les forces à tondre électriques

Gardez les mains éloignées des lames.

CONSIGNES GÉNÉRALES DE SÉCURITÉ CONCERNANT LA BATTERIE

- a) Ne pas démonter, ouvrir ou déchiqeter le bloc batterie.
- b) Ne pas exposer le bloc batterie à la chaleur ou au feu. Evitez de ranger la batterie dans un endroit exposé à la lumière directe du soleil.
- c) Ne pas court-circuiter une batterie. Ne stockez pas les blocs batterie en vrac dans une boîte ou un tiroir où ils peuvent se court-circuiter ou être court-circuités par d'autres objets métalliques. Lorsque le bloc batterie n'est pas utilisé, conservez-le loin d'autres objets métalliques, tels que des trombones, des pièces de monnaie, des clés, des clous, des vis ou d'autres objets métalliques de petite taille, qui pourraient établir une connexion d'un terminal à l'autre. Le fait de créer un court-circuit entre les bornes de la batterie peut causer des brûlures ou des incendies.
- d) Ne pas retirer la batterie de son emballage d'origine avant utilisation dans l'appareil.
- e) Ne pas soumettre la batterie à des chocs mécaniques.
- f) En cas de fuite de la batterie, ne pas laisser le liquide entrer en contact avec la peau ou les yeux. Si un contact a été effectué, laver la zone touchée avec beaucoup d'eau et consulter un médecin.
- g) Respecter les marques plus (+) et moins (-) sur le bloc batterie et sur l'appareil et veiller à bien le positionner.
- h) Ne pas utiliser de batterie qui n'a pas été conçue pour être utilisée avec cet appareil.
- i) Maintenez la batterie hors de portée des enfants.
- j) Consultez immédiatement un médecin si une cellule ou une batterie a été avalée.
- k) Achetez toujours une batterie recommandée par le fabricant de l'appareil.
- l) Conservez le bloc batterie propre et sec.
- m) Essuyez les bornes de la batterie avec un chiffon propre et sec si elles deviennent sales.
- n) La batterie doit être chargée avant son utilisation. Utilisez toujours le chargeur adapté et reportez-vous aux instructions du fabricant ou au manuel de l'équipement pour suivre les instructions concernant la procédure de charge.
- o) Ne laissez pas le bloc batterie en charge prolongée lorsqu'il n'est pas utilisé.
- p) Après de longues périodes de stockage, il peut être nécessaire de charger et de décharger la batterie plusieurs fois pour obtenir des performances optimales.
- q) La batterie offre de meilleures performances lorsqu'elle est utilisée à température ambiante normale (68 °F ± 9

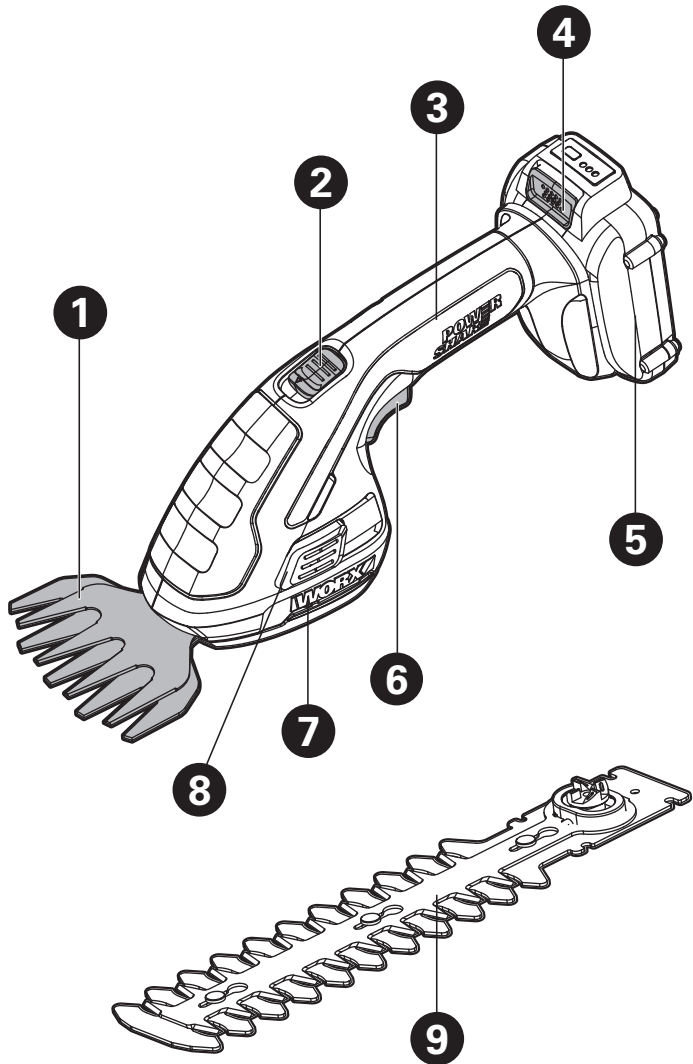
°F).

- r) Lors de l'élimination des batteries, conservez les blocs batteries de différents systèmes électrochimiques séparés les uns des autres.
- s) Rechargez le bloc batterie uniquement avec le chargeur spécifié par WORX. N'utilisez pas un chargeur autre que celui spécifiquement conçu pour être utilisé avec l'équipement. Un chargeur adapté à un type de batterie peut entraîner un risque d'incendie lorsqu'il est utilisé avec une autre batterie.
- t) Conservez la documentation originale du produit pour référence ultérieure.
- u) Utilisez uniquement la batterie dans l'application pour laquelle elle a été prévue.
- v) Retirez la batterie de l'équipement lorsqu'il n'est pas utilisé.
- w) Éliminez la batterie de façon adéquate.

SYMBOLES

	Afin de réduire les risques de blessure, l'utilisateur doit lire ce mode d'emploi.
	Avertissement
	Portez une protection auditive
	Portez un protecteur oculaire
	Portez un masque antipoussières
	Ne pas exposer pas à la pluie et à l'eau
	DANGER - Éloignez vos mains de la lame.
	Batterie Li-ion. Les batteries doivent être recyclées en collecte sélective.
	Par mesure de sécurité, enlevez la batterie avant de remplacer des accessoires.
	Toujours porter des gants de protection
	Verrouiller
	Déverrouiller
	Ne pas jeter au feu



	Ne pas exposer pas à la pluie et à l'eau
	<p>call2recycle®</p> <p>POSITEC Inc. a formé un partenariat avec RBRC Corporation pour le recyclage des batteries Positec portant le sceau RBRC-call2recycle. Pour la protection de l'environnement, veuillez à ne pas jeter les batteries aux poubelles. À la fin du cycle de vie de la batterie, appelez 1-800-822-8837 pour un service gratuit qui mettra la batterie au rebut selon les règles de l'art.</p>



1. LAME DE LA CISAILLE À GAZON ***2. BOUTON DE VERROUILLAGE****3. POIGNÉE****4. CRAN DE DÉGAGEMENT DU BLOC-PILES *****5. BLOCS-PILES *****6. INTERRUPTEUR MARCHE/ARRÊT****7. CARTER DU DISPOSITIF D'ENTRAÎNEMENT SIMPLE D'UTILISATION****8. BOUTON DE BLOCAGE DU CARTER DU DISPOSITIF D'ENTRAÎNEMENT SIMPLE D'UTILISATION****9. LAME DE DÉBROUSSAILLEUSE**

*Les accessoires illustrés ou décrits ne sont pas tous compris dans le cadre de la livraison standard.

DONNÉES TECHNIQUES

	WG801	WG801.1	WG801.9	WG801.91
Tension	20V  Max*			
Vitesse à vide	1150 rpm			
Largeur de coupe	Lame de cisaille à gazon de 10cm (4 po)			
Longueur de découpe	Lame pour arbuste de 20cm (8 po)			
Diamètre maximum de coupe	Lame pour arbuste de 8mm (0,3 po)			
Temps de recharge normal	5 heures	/	/	/
Valeurs nominales du chargeur	Entrée: 120V~60Hz Sortie: 20V  400mA		/	/
Poids	0.9kg (2.0lbs)	1.1kg (2.4 lbs)	0.6kg (1.3lbs)	0.8kg (1.7lbs)

*Voltage measured without workload. Initial battery voltage reaches maximum of 20 volts. Nominal voltage is 18 volts.

ACCESSOIRES

	WG801	WG801.1	WG801.9	WG801.91
Lame de cisaille à gazon de 4 po	1	/	1	/
LAME DE DÉBROUSSAILLEUSE DE 8 PO	1	1	1	1
BLOCS-PILES (WA3575)	1	1	/	/
CHARGEUR (WA3742)	1	1	/	/
Arbre télescopique (WA0040)	/	/	/	/
Gaine de lame	2	1	2	1

Nous vous recommandons d'acheter tous vos accessoires du même magasin qui vous a vendu l'outil. Pour de plus amples renseignements, consultez l'emballage de l'accessoire. Le personnel du magasin peut également vous conseiller.

INSTRUCTIONS D'UTILISATION



REMARQUE: Avant d'utiliser cet outil, assurez-vous de lire attentivement le manuel d'utilisation.


Utilisation prévue

Cet appareil est destiné à un usage domestique pour les petits travaux de taille des arbustes et des bordures de pelouse.

ASSEMBLAGE & FONCTIONNEMENT

ACTION	SCHEMA
--------	--------

ASSEMBLAGE (Installation/Changement De La Lame)

Démontage de la lame  AVERTISSEMENT: Portez des gants lorsque vous changez la lame.	Voir Fig. A1, A2
Installation de la lame	Voir Fig. B1, B2
AVANT LE FONCTIONNEMENT	
Vérification de l'état de charge de batterie (pour G801, WG801.1)	Voir Fig. C1
Recharge de la batterie	Voir Fig. C2
Des informations supplémentaires sont disponibles dans le manuel du chargeur.	Voir Fig. C3
Installation du bloc de batterie	Voir Fig. C4

FONCTIONNEMENT

Démarrage & Arrêt	Voir Fig. D
Coupe de gazon (pour WG801, WG801.9) REMARQUE: Tenez l'outil à l'écart des objets durs et des plantes délicates. Pour une coupe de proximité, inclinez-le légèrement.	Voir Fig. E
Taille de haies et d'arbustes REMARQUE: Évitez tous les objets étrangers. Évitez particulièrement les objets durs tels que les câbles métalliques et les rampes, car ils peuvent endommager les lames.	Voir Fig. F

ENTRETIEN

REMARQUE: Pour garantir une durée de vie longue et fiable, procédez régulièrement aux tâches d'entretien suivantes.

Retirer le bloc-piles de l'outil avant d'effectuer tout ajustement, entretien ou maintenance. Vérifiez que l'appareil ne comporte pas de défaut visible comme une lame déplacée, endommagée ou desserrée, des fixations lâches ou des composants usés ou endommagés. Vérifiez que les couvercles et les protections ne sont pas endommagés et sont correctement fixés. Entretenez ou réparez l'appareil de la manière convenable avant de l'utiliser.

POUR LES OUTILS DE LA BATTERIE

La plage de température ambiante pour l'utilisation et le stockage de l'outil et de la batterie est 0° C à 45° C.

La plage de température ambiante recommandée pour le système de charge pendant la charge est de 0° C à 40° C.

ENTRETIEN DE LA LAME

Nettoyez toujours la lame après chaque utilisation et lubrifiez-la de temps à autre.

Vérifiez l'état de la lame.

Assurez-vous que la lame est couverte avec la protection de lame fournie lorsque l'appareil reste inutilisé.

NETTOYAGE / ENTREPOSAGE

Nettoyez soigneusement l'extérieur de la machine à l'aide d'une brosse douce ou d'un chiffon. N'utilisez pas d'eau ni de solvants ou de cire. Retirez tous les débris, notamment ceux accumulés dans les ouvertures de ventilation.

Rangez la machine dans un lieu sûr et sec hors de la portée des enfants. Ne placez aucun autre objet sur la machine.

⚠ ¡ADVERTENCIA: El polvo originado por la utilización de herramientas motorizadas contiene químicos que, según el Estado de California, causan cáncer, defectos congénitos y otros daños reproductivos. Algunos ejemplos de esos productos químicos son:

- El plomo de las pinturas a base de plomo
- La sílice cristalina de los ladrillos, del cemento y de otros productos de albañilería
- El arsénico y el cromo de la madera tratada químicamente

El riesgo que se corre a causa del contacto con esos productos varía según la frecuencia con que usted realice este tipo de trabajos. Con el fin de reducir su exposición a esas substancias químicas, trabaje en un área bien ventilada; utilice un equipo de seguridad adecuado, tal como una máscara contra el polvo especialmente diseñada para filtrar partículas microscópicas.

⚠ ¡ADVERTENCIA: Este producto puede exponerlo a sustancias químicas, como plomo y di (2-etilhexilo) ftalato (DEHP), que el estado de California reconoce como causantes de cáncer y defectos de nacimiento u otros daños reproductivos. Para más información visite www.P65Warnings.ca.gov.

ADVERTENCIAS DE SEGURIDAD GENERALES PARA LA HERRAMIENTA

⚠ ¡ADVERTENCIA: Lea y comprenda todas las instrucciones. El no seguir todas las instrucciones a continuación puede ocasionar descargas eléctricas, incendios y/o heridas graves.

Conserve todas las advertencias e instrucciones para consulta futura.

El término “herramienta eléctrica” que figura en todas las advertencias que aparecen a continuación hace referencia a la herramienta que funciona con la red de suministro eléctrico (con cable) o a la herramienta eléctrica accionada a baterías (sin cable).

1. ÁREA DE TRABAJO

- Mantenga su lugar de trabajo limpio y bien iluminado.** Bancos de trabajo desordenados y lugares oscuros invitan a los accidentes.
- No utilice herramientas eléctricas en atmósferas explosivas, como por ejemplo en presencia de líquidos, inflamables, gases o polvo.** Las herramientas eléctricas crean chispas que pueden encender el polvo o los vapores.
- Mantenga a los espectadores, niños y visitantes a una distancia prudente cuando esté utilizando una herramienta eléctrica.** Las distracciones pueden hacerle perder el control.

2. SEGURIDAD ELÉCTRICA

- Los enchufes de las herramientas eléctricas deben coincidir con el tomacorriente. No modifique de algún modo el enchufe. No utilice enchufes adaptadores con herramientas eléctricas conectadas a tierra.** Si no se modifican los enchufes y se utilizan los tomacorrientes adecuados, se reducirá el riesgo de una descarga eléctrica.
- Evite el contacto del cuerpo con las superficies conectadas a tierra tales como tuberías, radiadores, estufas de cocina y refrigeradores.** Existe mayor riesgo de que se produzcan descargas eléctricas si su cuerpo está conectado a tierra.
- No exponga las herramientas eléctricas a la lluvia ni a los ambientes húmedos.** La entrada de agua en una herramienta eléctrica aumenta el riesgo de que se produzcan descargas eléctricas.
- No abuse del cable. Nunca use el cable para transportar las herramientas ni para sacar el enchufe de un tomacorriente.** Mantenga el cable alejado del calor, el aceite, los bordes afilados o las piezas móviles. Los cables dañados aumentan el riesgo de que se produzcan descargas eléctricas.
- Cuando opere una herramienta eléctrica en exteriores, use un cable de extensión adecuado para uso en exteriores.** El uso de un cable adecuado para uso en exteriores reduce el riesgo de descargas eléctricas.
- Si operará una herramienta eléctrica en un lugar húmedo es inevitable, use un elemento protegido del dispositivo de corriente residual (RCD).** El uso de un RCD reduce el riesgo de descargas eléctricas.

3. SEGURIDAD PERSONAL

- Manténgase alerta, fíjese en lo que está haciendo y use el sentido común cuando utilice una herramienta eléctrica.** No use la herramienta cuando esté cansado o se encuentre bajo la influencia de drogas, alcohol o medicamentos. Un momento de distracción al utilizar herramientas eléctricas puede dar lugar a lesiones personales graves.
- Utilice equipo de seguridad. Use siempre protección ocular.** La utilización del equipo de seguridad como máscara antipolvo, zapatos de seguridad antideslizantes, casco o protección auditiva para condiciones adecuadas reducirá el riesgo de lesiones personales.
- Evite el arranque accidental. Asegúrese de que el interruptor esté en la posición de trabado o de apagado antes de instalar el paquete de baterías.** Transportar herramientas con el dedo en el interruptor o instalar el paquete de batería cuando el interruptor está encendido invitan a los accidentes.
- Retire las llaves o claves de ajuste antes de encender la herramienta.** Una llave o clave de ajuste dejada en una parte giratoria de la

herramienta puede causar una lesión personal.

- e) **No intente alcanzar demasiado lejos. Mantenga un apoyo de los pies y un equilibrio adecuados en todo momento.** El apoyo de los pies y el equilibrio adecuados permiten un mejor control de la herramienta en situaciones inesperadas.
- f) **Vístase apropiadamente. No se ponga ropa holgada ni joyas.** Mantenga su cabello, ropa y guantes alejados de las piezas móviles. La ropa holgada, las joyas o el pelo largo pueden quedar atrapados en las piezas móviles.
- g) **Si se proporcionan dispositivos para la extracción y recolección de polvo, asegúrese que estos estén conectados y utilizados correctamente.** El uso de estos dispositivos puede reducir peligros relacionados con el polvo.

4. USO Y CUIDADO DE LA HERRAMIENTA

- a) **No fuerce la herramienta. Emplee la herramienta correcta para la aplicación que desea.** La herramienta correcta hará el trabajo mejor y con más seguridad a la capacidad nominal para la que está diseñada.
- b) **No utilice la herramienta si el interruptor no la enciende o apaga.** Toda herramienta que no se pueda controlar con el interruptor es peligrosa y debe ser reparada.
- c) **Desconecte la batería de la herramienta o ponga el interruptor en la posición de trabado o de apagado antes de hacer cualquier ajuste, cambio de accesorios o guardar la herramienta.** Estas medidas de seguridad preventivas reducen el riesgo de encender la herramienta accidentalmente.
- d) **Guarde las herramientas que no esté usando fuera del alcance de los niños y otras personas no capacitadas.** Las herramientas son peligrosas en las manos de los usuarios no capacitados.
- e) **Mantenga las herramientas con cuidado. Compruebe la desalineación o el atasco de las piezas móviles, la ruptura de piezas y cualquier otra situación que pueda afectar el funcionamiento de las herramientas.** Si la herramienta está dañada, hágala arreglar antes de usarla. Muchos accidentes son causados por herramientas mantenidas deficientemente.
- f) **Conserve las herramientas de corte afiladas y limpias.** Las herramientas mantenidas adecuadamente, con bordes de corte afilados, tienen menos probabilidades de atascarse y son más fáciles de controlar.
- g) **Utilice la herramienta eléctrica, accesorios, brocas de la herramienta, etc. de acuerdo con estas instrucciones y de la manera adecuada para el tipo de herramienta eléctrica, teniendo en cuenta las condiciones de trabajo y el trabajo que se realizará.** La utilización de la herramienta eléctrica para operaciones diferentes de aquellas para las que se encuentra diseñada podría dar lugar a una situación peligrosa.

5. UTILIZACIÓN Y CUIDADO DE LA HERRAMIENTA ACCIONADA A BATERÍAS

- a) **Una herramienta accionada a baterías que tenga baterías integradas o un paquete de baterías separado se debe recargar solamente con el cargador especificado para la batería.** Un cargador que puede ser adecuado para un tipo de batería puede crear un peligro de incendio cuando se usa con otra batería.
- b) **Utilice la herramienta accionada a baterías solamente con el paquete de baterías designado específicamente.** El uso de cualquier otra batería puede crear un peligro de incendio.
- c) **Cuando el paquete de baterías no se usa, manténgalo alejado de otros objetos metálicos como: sujetapapeles, monedas, clavos, tornillos u otros pequeños objetos de metal capaces de hacer una conexión entre los terminales.** El cortocircuito de los terminales de una batería puede causar chispas, quemaduras o incendio.
- d) **Bajo condiciones abusivas, la batería puede expulsar líquido; evite el contacto. Si ocurre un contacto accidental, enjuague con agua. Si el líquido entra en contacto con los ojos, busque ayuda médica.** El líquido expulsado por la batería puede causar irritación o quemaduras.

6. REPARACIÓN

- a) **La herramienta debe ser reparada por una persona calificada de servicio técnico y se deben utilizar partes de reemplazo idénticas.** Esto asegurará el mantenimiento de la seguridad de la herramienta eléctrica.

INSTRUCCIONES DE SEGURIDAD

1. **Mantenga todas las partes de su cuerpo alejados de la cuchilla de corte. No remueva material cortado o sostener material a cortar cuando la cuchilla esté en movimiento. Asegúrese de que el interruptor esté en apagado cuando limpie el material trabado. Después de apagar la herramienta la cuchilla continúa girando libremente.** Un momento de falta de atención mientras está operando con la tijera cortasetos puede provocar serias lesiones personales.
2. **Cargar la tijera cortasetos desde la manija teniendo la cuchilla de corte parada. Cuando esté transportando o guardando la tijera cortasetos, poner siempre la cubierta de la máquina de cortar.** El manejo apropiado de la tijera cortasetos reducirá posibles lesiones personales de la cuchilla de corte.
3. **Sujete la herramienta eléctrica solamente por los mangos aislados, porque la cuchilla**

de corte puede tener contacto con alambres escondidos o con el propio cable.

Si la cuchilla de corte tiene contacto con un cable bajo tensión puede dejar expuesto partes metales de la herramienta eléctrica con tensión y puede causar un shock eléctrico al operador.

4. Mantenga las manos alejadas de la cuchilla.

El contacto con la cuchilla resultará serias lesiones personales.

5. Solamente usar con mango y protección apropiadamente ensambladas a la tijera cortasetos.

El uso de la tijera cortasetos sin la protección apropiada o mango puede resultar serias lesiones personales.

6. Revisar la tijera para objetos desconocidos, por ejemplo alambradas.



INSTRUCCIONES DE SEGURIDAD



ADVERTENCIA: Cuando se emplean herramientas eléctricas para jardinería, siempre deben seguirse ciertas pautas básicas de seguridad a fin de reducir el riesgo de incendio, descarga eléctrica o lesión seria, incluyendo las siguientes:



¡ADVERTENCIA: Lea y comprenda todas las instrucciones.

PARA TODAS LAS HERRAMIENTAS

- 1) Evite ambientes peligrosos-No utilice las herramientas en lugares húmedos o mojados.
- 2) No trabaje bajo la lluvia.
- 3) Mantenga alejados a los niños. Todos los visitantes deben mantenerse a distancia del área de trabajo.
- 4) Vístase apropiadamente- No use ropas sueltas o alhajas, ya que pueden quedar atrapadas en las piezas móviles. Le recomendamos usar guantes de goma y calzado resistente al trabajar en el exterior. Emplee protección adecuada para contener el cabello largo.
- 5) Utilice gafas de seguridad- Emplee siempre máscara para la cara o máscara anti-polvo en operaciones donde se emite mucho polvo.
- 6) Utilice la herramienta correcta- Emplee la herramienta únicamente para la finalidad para la cual fue diseñada.
- 7) No toque las hojas o los bordes filosos expuestos al tomar o sostener la herramienta.
- 8) No fuerce la herramienta-Hará un trabajo mejor y más seguro a la velocidad para la cual fue diseñada.
- 9) No se extralimite-Manténgase firme y con buen equilibrio en todo momento.
- 10) Permanezca alerta- Ponga siempre atención en lo que está haciendo. Utilice el sentido común. No opere la herramienta cuando esté cansado.
- 11) Guarde las herramientas que no usa en lugares cerrados. Cuando no se encuentran en uso, las herramientas deben guardarse en un lugar seco, elevado o cerrado con llave, lejos del alcance de los niños.
- 12) Mantenga la herramienta con cuidado- Conserve

los bordes cortantes limpios y bien afilados, a fin de obtener el mejor rendimiento y reducir los riegos de lesiones. Siga las instrucciones para la lubricación y el cambio de accesorios. Mantenga los mangos secos, limpios y libres de aceite y grasa.

- 13) Verifique las piezas dañadas. Las guardas protectoras u otras partes dañadas deben verificarse cuidadosamente antes de cualquier uso futuro de la herramienta, a fin de determinar si funcionarán correctamente y realizarán la función prevista. Compruebe que las piezas móviles se encuentren alineadas y correctamente ajustadas, que no haya rotura de piezas, de montaje o cualquier otra condición que pueda afectar su funcionamiento. Una guarda protectora u otra pieza que se encuentre dañada debe ser reparada o sustituida correctamente en un centro de servicio autorizado, a menos que en este manual de instrucciones se indique lo contrario.

ADVERTENCIAS DE SEGURIDAD PARA LAS HERRAMIENTAS DE JARDINERÍA A BATERÍA

1. Advertencias de seguridad para las herramientas de jardinería a batería:

- a) No cargue el artefacto en la lluvia, o en lugares húmedos.
- b) No use artefactos a batería bajo la lluvia.
- c) Saque o desconecte la batería antes de reparar, limpiar o remover material del artefacto de jardinería.

2. Para todos los productos a batería que empleen una batería extraíble o independiente:

- a) Use únicamente el siguiente tipo y tamaño de baterías: WA3520, WA3525, WA3575, WA3578
 - b) No tire las baterías al fuego. Pueden llegar a explotar. Consulte los códigos locales para obtener instrucciones especiales de desecho.
 - c) No abra ni mutile las baterías. El electrolito que se puede liberar es corrosivo y puede provocar daños a los ojos o la piel. Puede ser tóxico si se traga.
 - d) Tenga cuidado al manipular la batería para no hacer un cortocircuito con materiales conductores como anillos, brazaletes y llaves. La batería o el conductor pueden recalentarse y causar quemaduras.
3. Evite el arranque accidental – No inserte la batería con su dedo sobre el interruptor. Asegúrese que el interruptor esté apagado cuando inserte la batería.

CONSERVE ESTAS INSTRUCCIONES



Regla de seguridad adicional para corte de césped
Mantenga las manos alejadas de las hojas de corte.

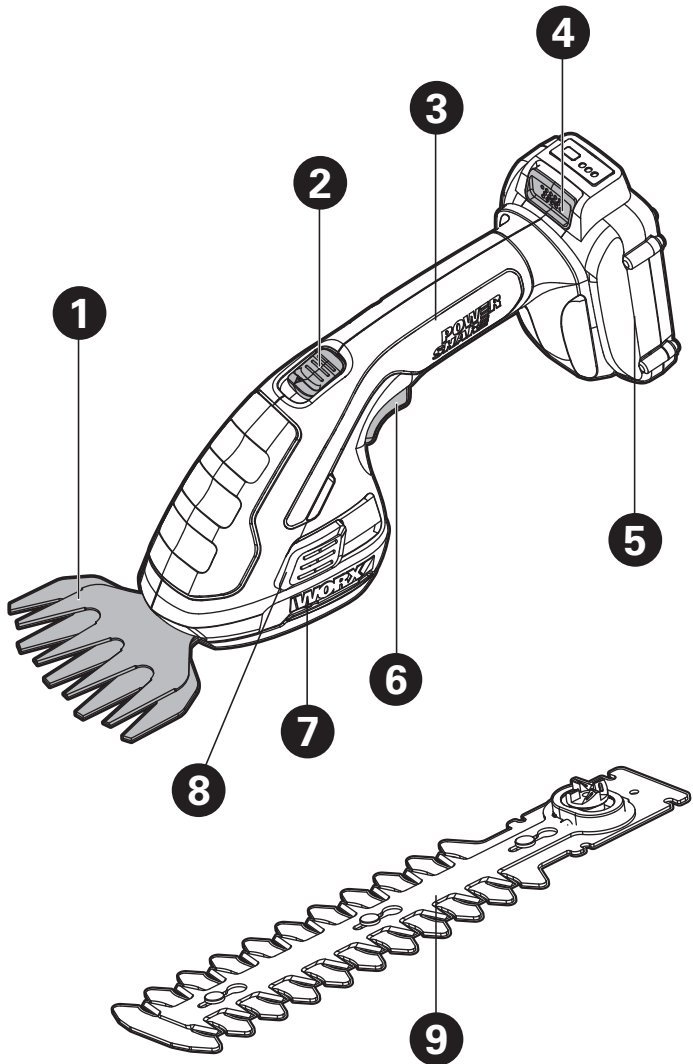
ADVERTENCIAS GENERALES DE SEGURIDAD PARA LA BATERÍA

- a) **No desensamble, abra o triture el paquete de batería.**
- b) **No exponga el paquete de batería a calor o fuego. Evite guardar a la luz directa del sol.**
- c) **No ponga en corto circuito el paquete de batería. No guarde el paquete de batería de forma aleatoria en una caja o cajón donde puedan ponerse en corto circuito entre sí o ponerse en corto circuito por otros objetos metálicos.** Cuando el paquete de batería no esté en uso, manténgalo alejado de otros objetos metálicos, como sujetadores de papel, monedas, llaves, clavos, tornillos u otros objetos metálicos pequeños que puedan establecer una conexión de una terminal a otra. El corto circuito de las terminales de la batería puede causar quemaduras o incendios.
- d) **No retire el paquete de la batería de su empaque original hasta que se requiera para el uso.**
- e) **No someta el paquete de batería a impacto mecánico.**
- f) **En el caso de fuga de la batería, no permita que el líquido entre en contacto con la piel o los ojos. Si hay contacto, lave el área afectada con bastante agua y busque atención médica.**
- g) **Observe las marcas positiva (+) y negativa (-) en la parte posterior de la batería y el equipo para asegurar su uso correcto.**
- h) **No use ningún paquete de batería que no esté diseñado para uso con el equipo.**
- i) **Mantenga el paquete de batería fuera del alcance de los niños.**
- j) **Busque atención médica de inmediato si se ingiere una celda o una batería.**
- k) **Siempre adquiera el paquete de batería recomendado por el fabricante del dispositivo para el equipo.**
- l) **Mantenga el paquete de batería limpio y seco.**
- m) **Limpie las terminales del paquete de batería con una tela seca limpia su se ensucian.**
- n) **El paquete de batería se necesita cargar antes del uso. Siempre use el cargador correcto y consulte las instrucciones del fabricante o el manual del equipo para saber las instrucciones correctas de carga.**
- o) **No deje el paquete de batería en carga prolongada cuando no esté en uso.**
- p) **Después de periodos prolongados de almacenamiento, puede ser necesario cargar y descargar el paquete de batería varias veces para obtener el desempeño máximo.**
- q) **El paquete de batería proporciona su mejor desempeño cuando se opera en temperatura ambiente normal (68°F ± 9°F).**
- r) **Cuando deseche los paquetes de batería, mantenga los paquetes de batería de diferentes sistemas electromecánicos separados entre sí.**
- s) **Recargue únicamente con el cargador especificado por WORX. No use cargadores que no sean los específicamente suministrados para uso con el equipo.** Un cargador que es adecuado para un tipo de paquete de batería puede crear un riesgo de incendio cuando se usa con otro paquete de batería.
- t) **Conserve la literatura el producto original para referencia futura.**
- u) **Sólo use el paquete de batería en la aplicación para la que está diseñado.**
- v) **Retire el paquete de batería del equipo cuando no esté en uso.**
- w) **Deséchelo adecuadamente.**

SÍMBOLOS

	Para reducir el riesgo de lesiones, el usuario deberá leer el manual de instrucciones
	Advertencia
	Use protección auditiva
	Use lentes de seguridad
	Use máscara contra el polvo
	No exponer a la lluvia ni al agua
	PELIGRO - Mantenga las manos alejadas de la cuchilla.
 Li-Ion	Batería de iones de litio. La batería deberá reciclarse.
	Asegúrese de extraer la batería antes de cambiar los accesorios.
	Use siempre unos guantes de protección
	Bloqueo
	Desbloqueo
	No arrojar al fuego

	No exponer a la lluvia ni al agua
	<p>call2recycle®</p> <p>POSITEC Inc. ha establecido una asociación con la empresa RBRC para el reciclaje de todas las baterías Positec que posean el sello RBRC-call2recycle. Para contribuir con la protección del medio ambiente, no deseche las baterías como residuos normales. Después de que haya finalizado el ciclo de vida útil de la batería, comuníquese al 1-800-822-8837 para acceder al servicio gratuito.</p>



ACCESORIOS

1. CUCHILLA DE CORTE DE CÉSPED *

2. INTERRUPTOR DE DESTRABADO

3. MANGO

4. PESTILLO PARA LA REMOCIÓN DEL BLOQUE DE BATERÍAS *

5. BLOQUE DE BATERÍAS *

6. INTERRUPTOR ENCENDIDO/APAGADO



7. CUBIERTA DE UNIDAD SIN HERRAMIENTAS

8. BOTÓN DE APERTURA DE CUBIERTA DE UNIDAD SIN HERRAMIENTAS

9. HOJA PARA CORTADORA DE ARBUSTOS

*No todos los accesorios ilustrados o descritos se incluyen junto con el producto estándar.

DATOS TÉCNICOS

	WG801	WG801.1	WG801.9	WG801.91
Voltios	20V  Máximo*			
Velocidad sin Carga	1150 rpm			
Ancho de corte	4" (10cm) con cuchilla de corte de césped			
Longitud de corte	8" (20cm) con cuchilla para arbustos			
Diámetro máximo de corte	0.3" (8mm) para cuchilla para arbustos			
Tiempo Normal de Carga	5 Horas	/	/	/
Clasificación de voltaje del cargador	Entrada: 120V~60Hz Salida: 20V  400mA		/	/
Peso	2.0 libras (0.9kg)	2.4 libras (1.1kg)	1.3 libras (0.6kg)	1.7 libras (0.8kg)

*Voltaje medido sin carga de trabajo. El voltaje inicial de la batería alcanza un máximo de 20 V. El voltaje nominal es 18 V.

	WG801	WG801.1	WG801.9	WG801.91
4" CUCHILLA DE CORTE DE CÉSPED	1	/	1	/
8" HOJA PARA CORTADORA DE ARBUSTOS	1	1	1	1
Bloque de baterías (WA3575)	1	1	/	/
CARGADOR (WA3742)	1	1	/	/
Mango telescópico (WA0040)	/	/	/	/
Funda de la cuchilla	2	1	2	1

Le recomendamos que compre todos los accesorios en la tienda donde adquirió la herramienta. Consulte el empaque de los accesorios para obtener más detalles. El personal de la tienda también puede ayudarle y aconsejarle.

INSTRUCCIONES DE FUNCIONAMIENTO



NOTA: Antes de usar la herramienta, lea atentamente el manual de instrucciones.

Uso pretendido

El producto está diseñado para corte ligero de arbustos y bordes de césped en uso doméstico.

ENSAMBLE & FUNCIONAMIENTO

ACCIÓN	FIGURA
ENSAMBLE (INSTALAR/CAMBIAR LA HOJA)	
Extracción de la hoja ADVERTENCIA: Utilice guantes para cambiar la hoja.	Vea la Fig. A1, A2
Instalar la hoja	Vea la Fig. B1, B2
ANTES DE LA OPERACIÓN	
Revisar la condición de la batería (para WG801, WG801.1)	Vea la Fig. C1
Cargando la batería Se pueden encontrar más detalles en el manual del cargador	Vea la Fig. C2
Instalación de paquete de batería	Vea la Fig. C3
Extracción de paquete de batería	Vea la Fig. C4
OPERACIÓN	
Encendido & Apagado	Vea la Fig. D
Corte de césped (para WG801, WG801.9) NOTA: Mantenga la herramienta alejada de objetos duros y plantas delicadas. Para hacer un corte más cerca, incline ligeramente la herramienta.	Vea la Fig. E
Corte de arbustos y setos NOTA: Tenga cuidado para evitar cualquier objeto extraño. En especial evite objetos duros como alambre y rieles de metal, ya que podrían dañar las cuchillas.	Vea la Fig. F

MANTENIMIENTO

NOTA: Para garantizar que la máquina proporcione un servicio duradero y fiable, lleve a cabo periódicamente las siguientes operaciones de mantenimiento.

Retire el Paquete de la batería de la herramienta antes de realizar cualquier ajuste, servicio o mantenimiento.

Compruebe si existen defectos obvios como, por ejemplo, si la hoja se encuentra floja, descajada o dañada, si los accesorios se encuentran flojos o si los componentes están dañados.

Compruebe que las cubiertas y protecciones no presenten daños y se encuentren instaladas correctamente. Lleve a cabo las tareas de mantenimiento o reparación necesarias antes del uso.

PARA HERRAMIENTAS DE BATERÍA

El rango de temperatura ambiente para uso y almacenamiento de la herramienta y la batería es de 0°C-45°C.

El rango de temperatura ambiente recomendado para el sistema de carga durante la carga es de 0°C-40°C.

MANTENIMIENTO DE LA HOJA

Limpie siempre las hojas de corte después del uso y lubrique periódicamente la hoja de corte.

Compruebe visualmente la condición de los bordes de corte de la hoja de corte.

Asegúrese de que la hoja se encuentra cubierta con la protección de hoja suministrada mientras no se encuentre en uso.

LIMPIEZA / ALMACENAMIENTO

Limpie bien la parte exterior de la máquina utilizando una brocha suave y un paño. No utilice agua, disolvente o pulimento. Elimine todos los residuos, en especial aquellos que se encuentren en las ranuras de ventilación.

Conserve la máquina en un lugar seco y seguro, alejado del alcance de los niños. No coloque ningún objeto en sobre la máquina.

WORX
i 's your nature

www.worx.com

Copyright © 2019, Positec. All Rights Reserved.

Copyright © 2019, Positec. Tous droits réservés.

© Derechos reservados 2019, Positec. Todos los derechos reservados.

AR01329803